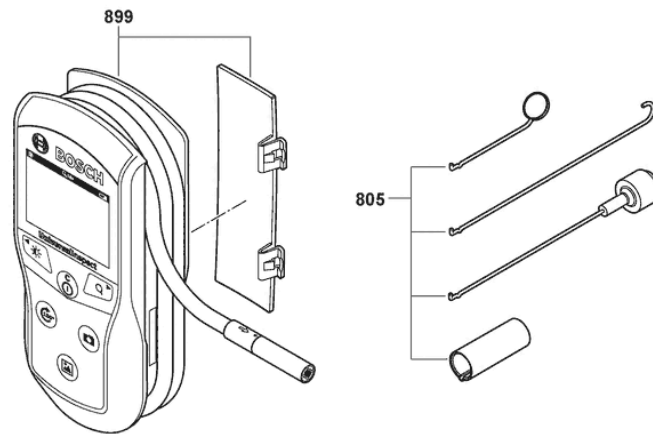


Illustration - Type - E

3 603 F87 000  
Stand }  
issue } 17-03-09 **Fig. /Abb. 1**



Änderungen vorbehalten  
Modifications reserved  
Modifications réservées  
Salvo modificaciones

**Spare parts list**

<b>Item</b>	<b>Part Number</b>	<b>Description</b>	<b>Illustration</b>	<b>Price</b>	<b>Quantity</b>	<b>Price Group</b>
805	1 619 PB1 709	Accessory Set	1		1	20
899	0 603 687 000	Endoscope EU	1	-	1	